

NARC Contest Sub Group

- **Objectives**
- **Contests**
- **Operating Practices**
- **Requirements**
- **Techniques**
- **Logs**
- **Software / Hardware**
- **Q & A**

Objectives

- To raise the profile of NARC in contests.
- To promote contesting within the club.
- Provide encouragement, training and assistance for beginners to contesting.
- Participate in Club based contests.

Which Contests?

Typical RSGB UK Club based contests

- JAN** Affiliated Clubs (AFS) CW & SSB 4hrs
- FEB-JULY** Club Championships CC
3 x 1.5hr (CW, SSB & Data) ea month.
- JUNE** NFD CW (weekend) 24hr
- JULY** VHF NFD (weekend) 24hr
- SEPT** SSB FD (weekend) with Police Gala Day

Recent Results

- NARC takes part every year in:-
AFS CW, and SSB more recently
Club Championships
NFD CW
SSB FD with Police Gala Day

	<i>2007</i>	<i>2006</i>	<i>2005</i>
AFS CW	21/86	21/91	16/90
CC	9/64?	19/74	9/73
NFD	11/27	19/27	16/26
SSB FD	--	20/25	

Which other contests?

- Feb 1.8 mhz CW 4 hrs 2100 – 0100
- Mar Commonwealth Contest CW (24hr)
- Apr RoPoCo 2hr CW Sunday mring
- July Low Power FD CW Sunday daytime
- July IOTA
- Aug RoPoCo CW
- Oct 21/28mhz
- Nov Club Calls 160m SSB
- Nov 2nd 1.8mhz CW

Contests & Operating Practices

- Much debate about contests and their merits
- Mainly due to poor practices in major International events and too many contests occupying bands at weekends
- Before entering any contest important to know the rules and any restrictions.
- Operating practices should be 'slick' not 'slack'
- UK contests are well run, friendly and reflect best practice.

What is needed?

- A reasonable station and antenna
- Efficient, ergonomic station layout
- Good slick operating procedures and practices
- Preferably the integrated use of a PC to improve efficiency and provide the necessary administration surrounding contests.

How to get started

- Best start with UK smaller contests
- Read the rules & 'exchange' requirements.
- Information - accuracy is crucial
- Paper log to begin with.....dupes?

Time	Call	Rcvd No	Sent No	Notes
<i>1901</i>	<i>G3LDI</i>	<i>002</i>	<i>001</i>	
<i>03</i>	<i>G3PGH</i>	<i>003</i>	<i>002</i>	<i>G3PDH</i>
			<i>003</i>	
			<i>004</i>	

Techniques

- Either 'Search & Pounce' or 'Run' mode
- Best to start with S & P
- Run mode assumes that you are a strong signal and is more stressful to start with.
- Carefully tune up (or down) band sector then restart at other end again.
- Move on quickly
- Try not to duplicate

Logs

- Logs typically have to be submitted within 1 to 2 weeks
- Required in electronic format called Cabrillo
- These can be created from paper log using a program in 'Post contest' mode.
- Entries need to be checked carefully for errors and other admin info

Cabrillo Log

START-OF-LOG: 2.0

ARRL-SECTION: DX

CALLSIGN: G3LDI

CLUB: Norfolk ARC

CONTEST: RSGB CC 80m

CATEGORY: SINGLE-OP LOW SSB

CLAIMED-SCORE: 134

OPERATORS: G3LDI

NAME: Roger Cooke

ADDRESS: The Old Nursery, The Drift,

ADDRESS: Swardeston, Norwich, Norfolk

ADDRESS: Norwich, NR14 8LQ

ADDRESS: UK

CREATED-BY: N1MM Logger V7.6.0

QSO: 3625 PH 2007-07-11 1900 G3LDI	59 1	G3LHJ	59 001	
QSO: 3625 PH 2007-07-11 1900 G3LDI	59 2	G3RHH		59 001
QSO: 3606 PH 2007-07-11 1901 G3LDI	59 3	G0LHZ	59 002	
QSO: 3609 PH 2007-07-11 1902 G3LDI	59 4	G8FCQ	59 006	
QSO: 3612 PH 2007-07-11 1902 G3LDI	59 5	G3PDH	59 004	
QSO: 3616 PH 2007-07-11 1903 G3LDI	59 6	G3RSD	59 010	
QSO: 3619 PH 2007-07-11 1904 G3LDI	59 7	G4FNL	59 013	
QSO: 3621 PH 2007-07-11 1904 G3LDI	59 8	G4BCA	59 002	
QSO: 3621 PH 2007-07-11 1904 G3LDI	59 9	G7BRZ	59 003	
QSO: 3621 PH 2007-07-11 1904 G3LDI	59 10	G4EKT	59 004	
QSO: 3621 PH 2007-07-11 1905 G3LDI	59 11	G1NGE	59 004	
QSO: 3621 PH 2007-07-11 1905 G3LDI	59 12	G4EBK	59 006	
QSO: 3621 PH 2007-07-11 1905 G3LDI	59 13	M3UJL	59 002	
QSO: 3621 PH 2007-07-11 1905 G3LDI	59 14	G4ARN/P	59 007	

Programs

- Several Freeware programs available
- Popular one's are:-
- SD (Super Duper) by EI5DI (good support and regular updates, forum available) download off internet www.EI5DI.com
- N1MM Logger (USA) (regular updates, forum etc) download off net, need to download basic prog first then latest update. <http://pages.cthome.net/n1mm/>
- Best to start with SD then try N1MM, bring in N1MM for Data tests. SD also useful for creating Cabrillo log from paper log.
- Best to use programs already used by other locals for support purposes.

PC's

- Don't be fooled into thinking PC's make it easy. Initially they are more stressful than keeping a paper log.
- You must fully familiarise with the program and understand how to set it up.
- Your typing speed needs to keep up with the pace of the exchanges
- Errors need to be rectified quickly

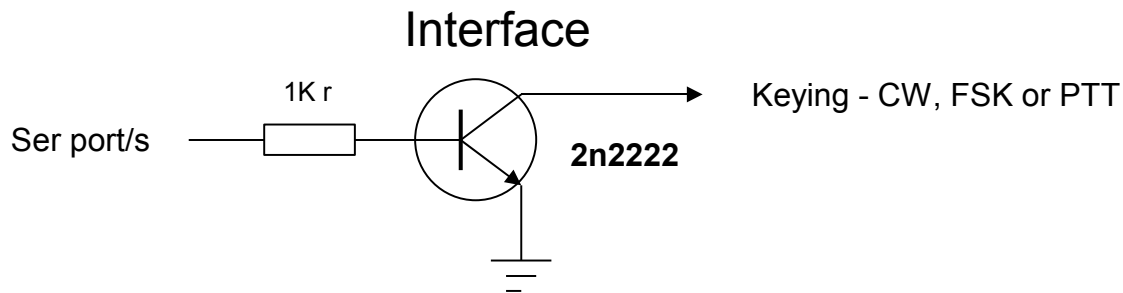
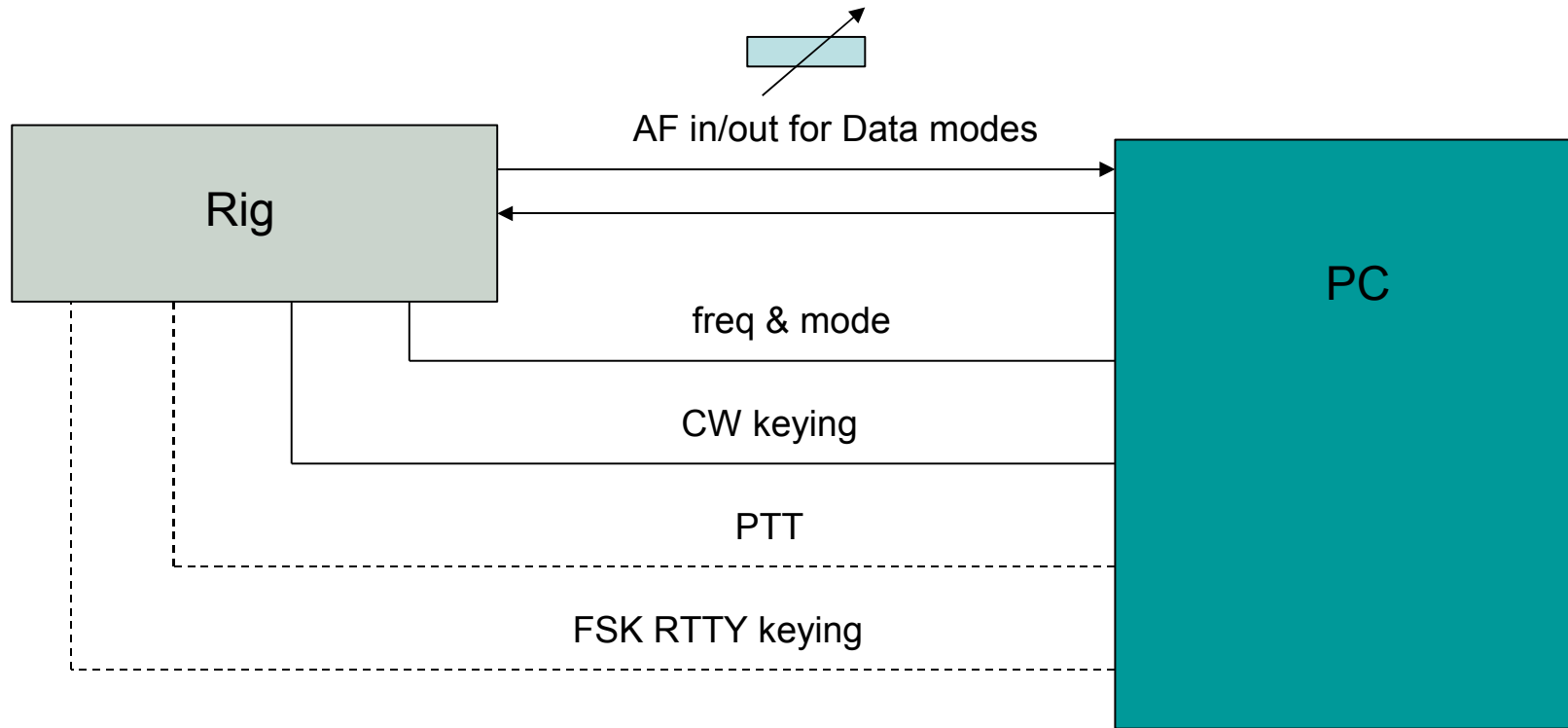
Hardware Connections

- To get started the PC need not be connected to Radio.
- Later you need to link them together for CW keying, frequency and mode transfer, DVK on SSB and full integration of Data (RTTY) modes
- This is where complexity starts but there are interfaces and boxes/cables available to simplify it. Several options exist.

Hardware

- Depends upon what PC, desk top or Laptop. What ports it has?
- Older systems used Serial port/s but latest use USB via adapters or interfaces.
- Depends upon rig and whether it has appropriate connectors and ports.
- For instance SD has poor CW keying direct from port. N1MM ok but a Winkey device is best to overcome any PC interrupts upsetting the keying on any program. Winkey is supported by most programs now.

Basic Schematic



Intelligent Interface

